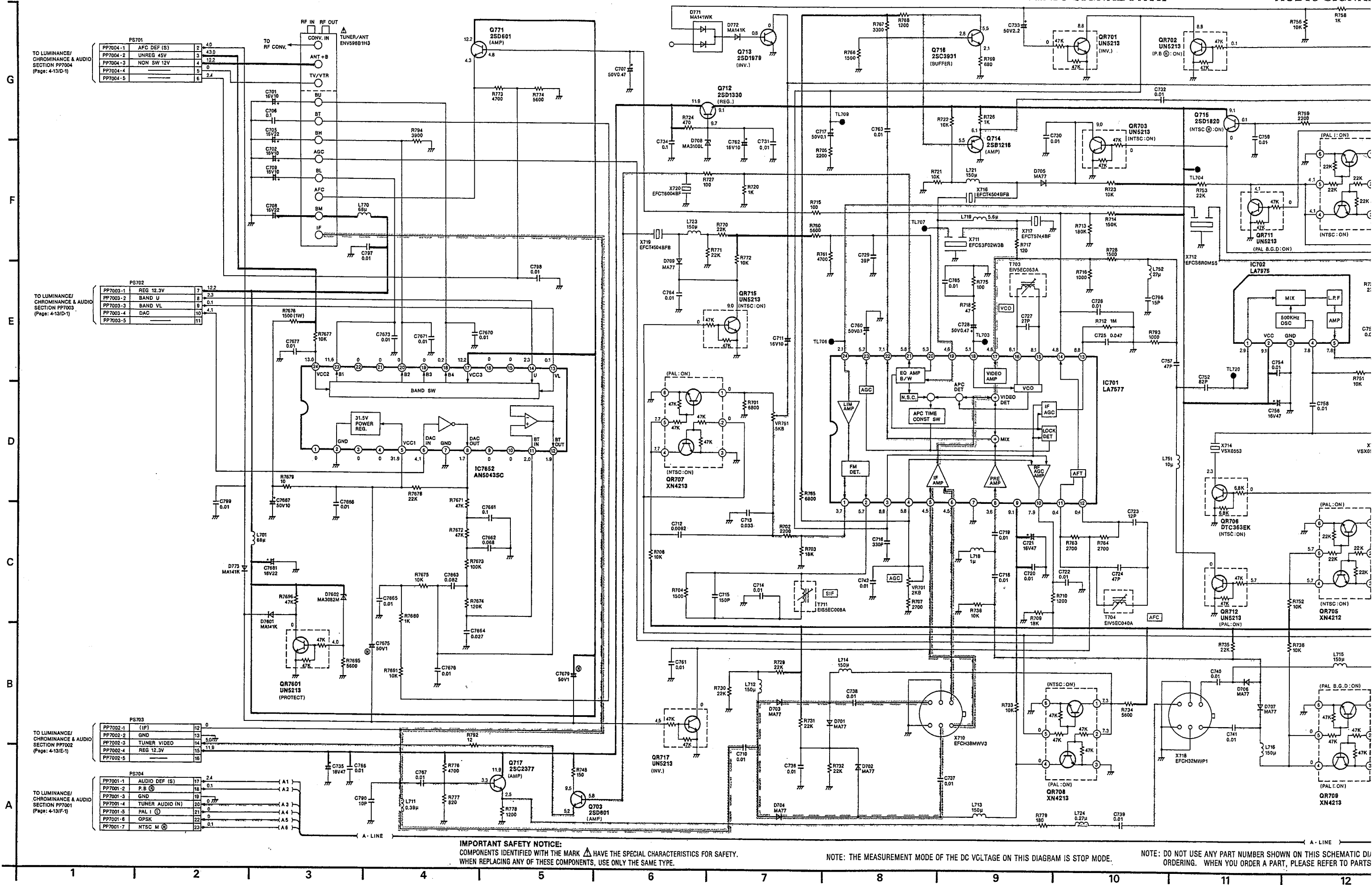


4-23 TV DEMODULATOR PACK SCHEMATIC DIAGRAM (NV-HD70AM, HD77AM)

VIDEO SIGNAL PATH

AUDIO SIGNAL



TO LUMINANCE/CHROMINANCE & AUDIO SECTION PP7004 (Page: 4-13/D-1)

PP7004-1	AFC DEF (S)	2	4.0
PP7004-2	UNREG 45V	3	43.0
PP7004-3	NON SW 12V	4	12.2
PP7004-4		5	0
PP7004-5		6	2.4

TO LUMINANCE/CHROMINANCE & AUDIO SECTION PP7003 (Page: 4-13/D-1)

PP7003-1	REG 12.3V	7	12.2
PP7003-2	BAND U	8	2.3
PP7003-3	BAND VL	9	0.1
PP7003-4	DAC	10	4.1
PP7003-5		11	

TO LUMINANCE/CHROMINANCE & AUDIO SECTION PP7002 (Page: 4-13/E-1)

PP7002-1	(IF)	12	0
PP7002-2	GND	13	
PP7002-3	TUNER VIDEO	14	5.077
PP7002-4	REG 12.3V	15	11.9
PP7002-5		16	

TO LUMINANCE/CHROMINANCE & AUDIO SECTION PP7001 (Page: 4-13/F-1)

PP7001-1	AUDIO DEF (S)	17	2.4
PP7001-2	P.B. (S)	18	0.1
PP7001-3	GND	19	
PP7001-4	TUNER AUDIO (N)	20	0.77
PP7001-5	PAL I (S)	21	0
PP7001-6	QPSK	22	0
PP7001-7	NTSC M (S)	23	0.1

IMPORTANT SAFETY NOTICE:
COMPONENTS IDENTIFIED WITH THE MARK Δ HAVE THE SPECIAL CHARACTERISTICS FOR SAFETY. WHEN REPLACING ANY OF THESE COMPONENTS, USE ONLY THE SAME TYPE.

NOTE: THE MEASUREMENT MODE OF THE DC VOLTAGE ON THIS DIAGRAM IS STOP MODE.

NOTE: DO NOT USE ANY PART NUMBER SHOWN ON THIS SCHEMATIC DURING ORDERING. WHEN YOU ORDER A PART, PLEASE REFER TO PARTS

